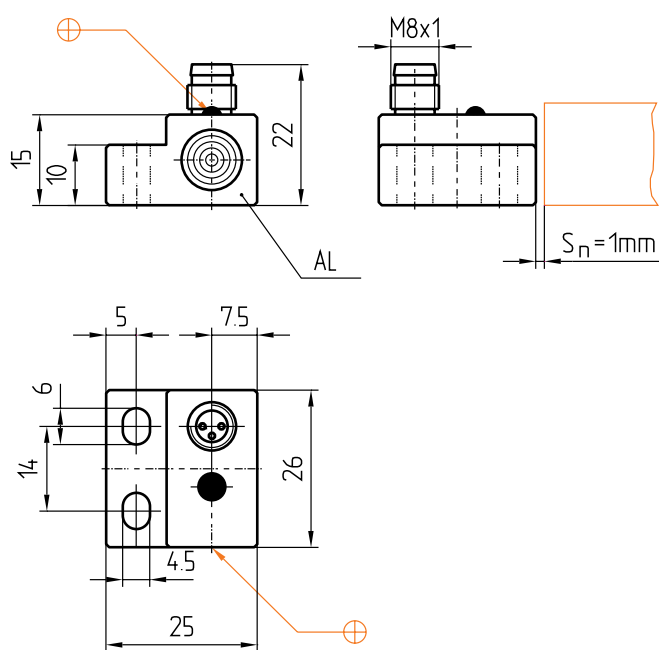


Z 140/...

10 ... 30V ~ / 200 mA



°C	Typ	Nr./No.
-25...120	1	Z 140/1

This is trial version
www.adultpdf.com